

REPSA - High Pressure Threaded Fittings

Reinforced Plastic S.A. has led the fabrication of GRP pipes, tanks and fittings for more than 50 years and, in 1988 REPSA signs a Technology Transfer Agreement with Koch Industries (USA), incorporating a new line of GRE pipes (Glass-Reinforced Epoxy) for the conveyance of water, oil and gas under high pressures and it was the first company to offer GRE pipes to the Latin American Oil & Gas market.

GRE pipes are mainly used by this market in their fight against corrosion and have had excellent results in both low and high-pressure environments. These pipes are fabricated under API 15HR-16 specification using premium glass fibers, and quality epoxy resins with high end machinery to ensure maximum pressure capabilities of these composite elements.

Along with our GRE pipes, a broad range of high-pressure fiberglass fittings and accessories is offered to accompany our high pressure line pipe, **designed to withstand temperatures up to 100°C (212 F)**. This allows for a complete corrosion-free piping system.

BENEFITS	
LIFESPAN	Because they are resistant to corrosion and deposits of paraffin and/or carbonates, these pipes have a longer lifespan than steel.
PRESSURE LOSS	Due to the low internal roughness (S = 0.00021 ") of the GRE pipe walls, the pressure loss that occur in them are lesser than in steel pipes.
REINSTALLATION	Due to the long lifespan of our GRE and its made-up joints, they are likely to be disassembled and reassembled in some other installation.
LIGHTWEIGHT	GRE pipes are lightweight, allowing for easy handling, without the need of equipment or rigging. They weigh approximately one fifth of steel ones, which provides lower handling, installation and transportation costs.
ELECTRICAL INSULATION	When GRE pipes are used, problems originated by electrolysis are eliminated, as this material is an electrical insulator. For this same reason, it does not require cathodic protection.

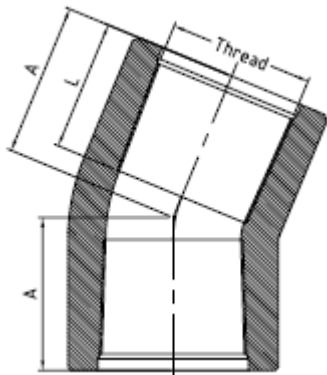
APPLICATIONS

1. Oil and/or gas flowlines with H₂S and CO₂ content.
2. Process water.
3. Salt water.
4. Treated water.
5. Oil/Water/Gas trunk lines.
6. Fire networks.
7. Injection lines.
8. Tank batteries connection.
9. Others.

GRE pipes are manufactured under strict quality control and according to the quality assurance system under ISO 9000/15 and API Q1 (2013) standards.

Reinforced Plastic S.A. offers pre and post-sale support service both in field as in plant, providing technical support and advice. The customer service staff is present in the works at the beginning of the installation of our products, to ensure a correct assembly of them. It also carries out training courses for technical personnel, referring to a project installation.

REPSA - High Pressure Threaded Fittings

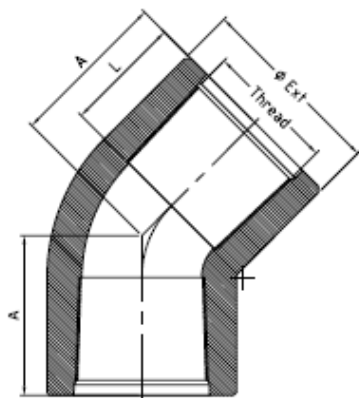


API 5B 8rd Threads

22° 30' ELBOWS – API 5B 8rd Threads					
NOMINAL DIAMETER	THREAD	STATIC PRESSURE RANGE		A	L
		psi	Kg _i /cm ²		
inch	inch			mm	mm
2	2 3/8	< 300	< 21	95	86.0
		300 to 800	21 to 56	95	86.0
		1000 to 1500	70 to 105	95	86.0
		1750 to 2500	122.5 to 175	95	86.0
		2750 to 3500	192.5 to 245	95	86.0
2 1/2	2 7/8	< 300	< 21	102	86.0
		300 to 800	21 to 56	102	86.0
		1000 to 1500	70 to 105	102	86.0
		1750 to 2500	122.5 to 175	102	86.0
		2750 to 3500	192.5 to 245	102	86.0
3	3 1/2	< 300	< 21	115	100.0
		300 to 800	21 to 56	115	100.0
		1000 to 1500	70 to 105	115	100.0
		1750 to 2500	122.5 to 175	115	100.0
		2750 to 3500	192.5 to 245	115	100.0
4	4 1/2	< 300	< 21	125	107.0
		300 to 800	21 to 56	125	107.0
		1000 to 1500	70 to 105	125	107.0
		1750 to 2500	122.5 to 175	125	107.0
		2750 to 3500	192.5 to 245	125	107.0
6	7	< 300	< 21	130	104.0
		300 to 800	21 to 56	130	104.0
		1000 to 1500	70 to 105	130	104.0
	6 5/8	1750 to 2500	122.5 to 175	135	111.3
8	8 5/8	< 300	< 21	168	112.0
		300 to 800	21 to 56	168	112.0
		1000 to 1500	70 to 105	168	112.0
10	11 3/4	< 300	< 21	208	152.4
		300 to 800	21 to 56	208	152.4
		1000 to 1500	70 to 105	208	152.4
12	13 3/8	< 300	< 21	220	152.4
		300 to 800	21 to 56	220	152.4
		1000 to 1500	70 to 105	220	152.4

For other sizes or static pressure range, please contact Reinforced Plastic S.A. technical department.
 For installation in 6" and above pipes, Male-Male and Male-Female X-Overs will be supplied.
 Sizes are approximate.

REPSA - High Pressure Threaded Fittings

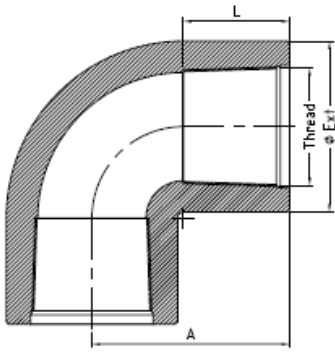


API 5B 8rd Threads

45° ELBOWS					
NOMINAL DIAMETER	THREAD	STATIC PRESSURE RANGE		A	L
		psi	Kg _f /cm ²		
inch	inch			mm	mm
2	2 3/8	< 300	< 21	108.7	86.0
		300 to 800	21 to 56	108.7	86.0
		1000 to 1500	70 to 105	108.7	86.0
		1750 to 2500	122.5 to 175	108.7	86.0
		2750 to 3500	192.5 to 245	108.7	86.0
2 1/2	2 7/8	< 300	< 21	115.7	86.0
		300 to 800	21 to 56	115.7	86.0
		1000 to 1500	70 to 105	115.7	86.0
		1750 to 2500	122.5 to 175	115.7	86.0
		2750 to 3500	192.5 to 245	115.7	86.0
3	3 1/2	< 300	< 21	129.4	100.0
		300 to 800	21 to 56	129.4	100.0
		1000 to 1500	70 to 105	129.4	100.0
		1750 to 2500	122.5 to 175	129.4	100.0
		2750 to 3500	192.5 to 245	129.4	100.0
4	4 1/2	< 300	< 21	145.1	107.0
		300 to 800	21 to 56	145.1	107.0
		1000 to 1500	70 to 105	145.1	107.0
		1750 to 2500	122.5 to 175	145.1	107.0
		2750 to 3500	192.5 to 245	145.1	107.0
6	7	< 300	< 21	175.0	104.0
		300 to 800	21 to 56	175.0	104.0
		1000 to 1500	70 to 105	175.0	104.0
	6 5/8	1750 to 2500	122.5 to 175	163.3	111.3
8	8 5/8	< 300	< 21	207.5	112.0
		300 to 800	21 to 56	207.5	112.0
		1000 to 1500	70 to 105	207.5	112.0
10	11 3/4	< 300	< 21	245.0	152.4
		300 to 800	21 to 56	245.0	152.4
		1000 to 1500	70 to 105	245.0	152.4
12	13 3/8	< 300	< 21	270.0	152.4
		300 to 800	21 to 56	270.0	152.4
		1000 to 1500	70 to 105	270.0	152.4

For other sizes or static pressure range, please contact Reinforced Plastic S.A. technical department.
 For installation in 6" and above pipes, Male-Male and Male-Female X-Overs will be supplied.
 Sizes are approximate.

REPSA - High Pressure Threaded Fittings

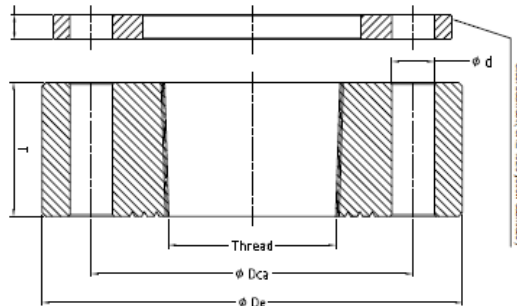


API 5B 8rd Threads

90° ELBOWS					
NOMINAL DIAMETER	THREAD	STATIC PRESSURE RANGE		A	L
		psi	Kg/cm ²		
inch	inch			mm	mm
2	2 3/8	< 300	< 21	140.7	86.0
		300 to 800	21 to 56	140.7	86.0
		1000 to 1500	70 to 105	140.7	86.0
		1750 to 2500	122.5 to 175	140.7	86.0
		2750 to 3500	192.5 to 245	140.7	86.0
2 1/2	2 7/8	< 300	< 21	158.0	86.0
		300 to 800	21 to 56	158.0	86.0
		1000 to 1500	70 to 105	158.0	86.0
		1750 to 2500	122.5 to 175	158.0	86.0
		2750 to 3500	192.5 to 245	158.0	86.0
3	3 1/2	< 300	< 21	171.0	100.0
		300 to 800	21 to 56	171.0	100.0
		1000 to 1500	70 to 105	171.0	100.0
		1750 to 2500	122.5 to 175	171.0	100.0
		2750 to 3500	192.5 to 245	171.0	100.0
4	4 1/2	< 300	< 21	200.0	107.0
		300 to 800	21 to 56	200.0	107.0
		1000 to 1500	70 to 105	200.0	107.0
		1750 to 2500	122.5 to 175	200.0	107.0
		2750 to 3500	192.5 to 245	200.0	107.0
6	7	< 300	< 21	275.5	104.0
		300 to 800	21 to 56	275.5	104.0
		1000 to 1500	70 to 105	275.5	104.0
	6 5/8	1750 to 2500	122.5 to 175	237.0	111.3
8	8 5/8	< 300	< 21	318.0	112.0
		300 to 800	21 to 56	318.0	112.0
		1000 to 1500	70 to 105	318.0	112.0
10	11 3/4	< 300	< 21	355.6	152.4
		300 to 800	21 to 56	355.6	152.4
		1000 to 1500	70 to 105	355.6	152.4
12	13 3/8	< 300	< 21	406.6	152.4
		300 to 800	21 to 56	406.6	152.4
		1000 to 1500	70 to 105	406.6	152.4

For other sizes or static pressure range, please contact Reinforced Plastic S.A. technical department.
 For installation in 6" and above pipes, Male-Male and Male-Female X-Over will be supplied.
 Sizes are approximate.

REPSA - High Pressure Threaded Fittings

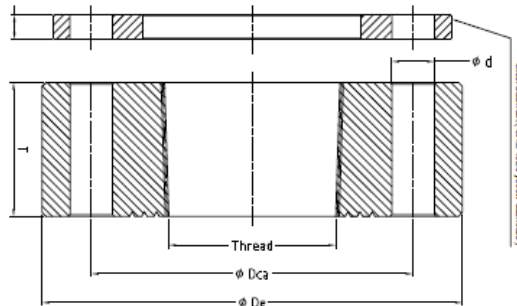


FLANGES – API AC 2 TPI

NOMINAL DIAMETER	THREAD	STATIC PRESSURE RANGE		SERIES AS PER ANSI B 16.5	OUTSIDE DIAM. (D _E)	THICKNESS	PITCH DIAM. (D _{CA})	N° HOLES	HOLE DIAM. (d)
		psi	Kg/cm ²						
inch	inch			-	mm	mm	mm	UN	mm
6	7	< 300	< 21	150	289.50	108	241.30	8	22.35
		300 to 800	21 to 56	300	327.50	108	269.75	12	22.35
		1000 to 1500	70 to 105	600	365.10	108	292.10	12	28.45
		1750 to 2500	122.5 to 175	900	391.00	108	371.50	12	31.75
8	9	< 300	< 21	150	352.90	128	298.40	8	22.35
		300 to 800	21 to 56	300	391.00	128	330.20	12	25.40
		1000 to 1500	70 to 105	600	429.10	128	349.20	12	31.75
	9 1/4	1750 to 2500	122.5 to 175	900	479.90	168	393.70	12	38.10
10	11 1/2	< 300	< 21	150	416.40	138	361.95	12	25.40
		300 to 800	21 to 56	300	454.50	138	387.35	16	28.45
		1000 to 1500	70 to 105	600	518.00	138	431.80	16	35.05
		1750 to 2500	122.5 to 175	900	565.15	138	469.9	16	38.10
12	13 1/4	< 300	< 21	150	492.60	150	431.80	12	25.40
		300 to 800	21 to 56	300	530.70	150	450.85	16	31.75
		1000 to 1500	70 to 105	600	568.80	150	488.95	20	35.05
		1750 to 2500	122.5 to 175	900	628.65	150	533.4	20	38.10
14	15	< 300	< 21	150	543.40	190	476.25	12	28.45
		300 to 800	21 to 56	300	594.20	190	514.35	20	31.75
		1000 to 1500	70 to 105	600	613.25	190	527.00	20	38.10
16	17 1/2	< 300	< 21	150	650.00	265	539.75	16	28.45
		300 to 800	21 to 56	300	650.00	265	571.5	20	35.05
		1000 to 1500	70 to 105	600	650.00	265	603.25	20	41.15

For other sizes, please contact Reinforced Plastic S.A. technical department.
 Hole No. and sizes (except for thickness) as per ASME B16.5
 If necessary, 1/2" steel support plates will be supplied.

REPSA - High Pressure Threaded Fittings

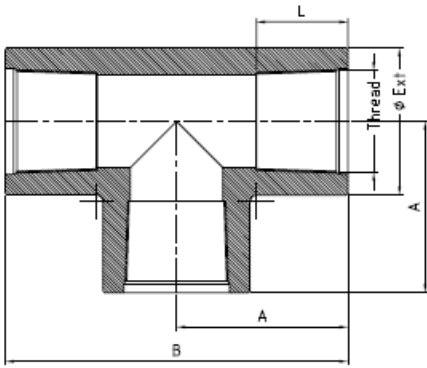


FLANGES – API 5B 8rd

NOMINAL DIAMETER	THREAD	PIPE RATING PRESSURE AS PER API 15HR		FLANGE RATING AS PER ANSI B 16.5	OUTSIDE DIAM. (D _E)	THICKNESS	PITCH DIAM. (D _{CA})	N° HOLES	HOLE DIAM. (d)
		psi	Kg _f /cm ²						
inch	inch			-	mm	mm	mm	UN	mm
2	2 3/8	< 300	< 21	150	162.40	57	120.65	4	19.05
		300 to 800	21 to 56	300	175.10	57	127.00	8	19.05
		1000 to 1500	70 to 105	600	175.10	57	127.00	8	19.05
		1750 to 2500	122.5 to 175	900	225.90	57	165.10	8	25.40
		2750 to 3500	192.5 to 245	1500	225.90	57	165.10	8	25.40
2 1/2	2 7/8	< 300	< 21	150	187.80	79	139.70	4	19.05
		300 to 800	21 to 56	300	200.50	79	149.35	8	22.35
		1000 to 1500	70 to 105	600	200.50	79	149.35	8	22.35
		1750 to 2500	122.5 to 175	900	254.35	79	190.50	8	28.45
		2750 to 3500	192.5 to 245	1500	254.35	79	190.50	8	28.45
3	3 1/2	< 300	< 21	150	200.50	70	152.40	4	19.05
		300 to 800	21 to 56	300	219.55	70	168.15	8	22.35
		1000 to 1500	70 to 105	600	219.55	70	168.15	8	22.35
		1750 to 2500	122.5 to 175	900	251.30	70	190.50	8	25.40
		2750 to 3500	192.5 to 245	1500	276.70	70	203.20	8	31.75
4	4 1/2	< 300	< 21	150	238.60	79	190.50	8	19.05
		300 to 800	21 to 56	300	264.00	79	200.15	8	22.35
		1000 to 1500	70 to 105	600	283.05	79	215.90	8	25.40
		1750 to 2500	122.5 to 175	900	302.10	79	234.95	8	31.75
		2750 to 3500	192.5 to 245	1500	321.15	79	241.30	8	35.05
6	6 5/8	< 300	< 21	150	289.50	75	241.30	8	22.35
		300 to 800	21 to 56	300	327.50	75	269.75	12	22.35
		1000 to 1500	70 to 105	600	365.10	75	292.10	12	28.45
		1750 to 2500	122.5 to 175	900	391.00	95.25	371.50	12	31.75
8	8 5/8	< 300	< 21	150	352.90	86	298.40	8	22.35
		300 to 800	21 to 56	300	391.00	86	330.30	12	25.40
		1000 to 1500	70 to 105	600	429.00	86	349.20	12	31.75

For other sizes, please contact Reinforced Plastic S.A. technical department.
 Hole No. and sizes (except for thickness) as per ASME B16.5
 If necessary, 1/2" steel support plates will be supplied.

REPSA - High Pressure Threaded Fittings



API 5B 8rd Threads

TEES						
NOMINAL DIAMETER	THREAD	STATIC PRESSURE RANGE		A	B	L
		psi	Kgf/cm ²			
inch	inch			mm	mm	mm
2	2 3/8	< 300	< 21	142.0	284.0	86.0
		300 to 800	21 to 56	142.0	284.0	86.0
		1000 to 1500	70 to 105	142.0	284.0	86.0
		1750 to 2500	122.5 to 175	142.0	284.0	86.0
		2750 to 3500	192.5 to 245	142.0	284.0	86.0
2 1/2	2 7/8	< 300	< 21	152.5	305.0	86.0
		300 to 800	21 to 56	152.5	305.0	86.0
		1000 to 1500	70 to 105	152.5	305.0	86.0
		1750 to 2500	122.5 to 175	152.5	305.0	86.0
		2750 to 3500	192.5 to 245	152.5	305.0	86.0
3	3 1/2	< 300	< 21	170.0	340.0	100.0
		300 to 800	21 to 56	170.0	340.0	100.0
		1000 to 1500	70 to 105	170.0	340.0	100.0
		1750 to 2500	122.5 to 175	170.0	340.0	100.0
		2750 to 3500	192.5 to 245	170.0	340.0	100.0
4	4 1/2	< 300	< 21	200.0	400.0	107.0
		300 to 800	21 to 56	200.0	400.0	107.0
		1000 to 1500	70 to 105	200.0	400.0	107.0
		1750 to 2500	122.5 to 175	200.0	400.0	107.0
		2750 to 3500	192.5 to 245	200.0	400.0	107.0
6	7	< 300	< 21	252.0	504.0	104.0
		300 to 800	21 to 56	252.0	504.0	104.0
		1000 to 1500	70 to 105	252.0	504.0	104.0
	6 5/8	1750 to 2500	122.5 to 175	238.8	477.6	111.3
8	8 5/8	< 300	< 21	327.0	654.0	112.0
		300 to 800	21 to 56	327.0	654.0	112.0
		1000 to 1500	70 to 105	327.0	654.0	112.0
10	11 3/4	< 300	< 21	348.0	696.0	152.4
		300 to 800	21 to 56	348.0	696.0	152.4
		800 to 1000	56 to 105	348.0	696.0	152.4
12	13 3/8	< 300	< 21	408.0	816.0	152.4
		300 to 800	21 to 56	408.0	816.0	152.4

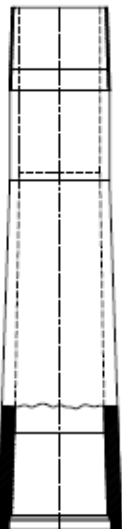
For other sizes or static pressure range, please contact Reinforced Plastic S.A. technical department.
 For installation in 6" and above pipes, Male-Male and Male-Female X-Overs will be supplied.
 Sizes are approximate.

REPSA - High Pressure Threaded Fittings



MALE-MALE NIPPLES						
NOMINAL DIAMETER	THREAD	STATIC PRESSURE RANGE		THREAD TYPE	MIN LENGTH	MAX LENGTH
		psi	Kg _f /cm ²			
2	2 3/8	<300 to 2750	< 21 to 192.5	8 TPI	250	8500
2 1/2	2 7/8	<300 to 2250	< 21 to 158	8 TPI	250	
3	3 1/2	<300 to 2500	< 21 to 175	8 TPI	250	
4	4 1/2	<300 to 2500	< 21 to 175	8 TPI	250	
6	6 5/8	<300 to 2250	< 21 to 158	8 TPI	300	
	7	<300 to 2500	< 21 to 175	2 TPI	300	
8	9	<300 to 1500	< 21 to 105	2 TPI	300	
	9 1/4	<300 to 2250	< 21 to 158	2 TPI	300	
	9 5/8	<300 to 2000	< 21 to 140.6	8 TPI	300	
10	10	<300 to 2000	< 21 to 140.6	2 TPI	300	
	11 1/2	<300 to 800	< 21 to 56	2 TPI	500	
	11 5/8	<300 to 2000	< 21 to 140.6	2 TPI	500	
12	13 1/4	<300 to 1500	< 21 to 105	2 TPI	500	
14	15	<300 to 1000	< 21 to 70	2 TPI	500	
16	17 1/2	<300 to 1000	< 21 to 70	2 TPI	1200	

For other sizes or static pressure range, please contact Reinforced Plastic S.A. technical department.



MALE-FEMALE NIPPLES						
NOMINAL DIAMETER	THREAD	STATIC PRESSURE RANGE		THREAD TYPE	MIN LENGTH	MAX LENGTH
		psi	Kg _f /cm ²			
2	2 3/8	<300 to 2750	< 21 to 192.5	8 TPI	250	9000
2 1/2	2 7/8	<300 to 2250	< 21 to 158	8 TPI	250	
3	3 1/2	<300 to 2500	< 21 to 175	8 TPI	250	
4	4 1/2	<300 to 2500	< 21 to 175	8 TPI	250	
6	6 5/8	<300 to 2250	< 21 to 158	8 TPI	300	
	7	<300 to 2500	< 21 to 175	2 TPI	300	
8	9	<300 to 1500	< 21 to 105	2 TPI	300	
	9 1/4	<300 to 2250	< 21 to 158	2 TPI	300	
	9 5/8	<300 to 2000	< 21 to 140.6	8 TPI	300	
10	10	<300 to 2000	< 21 to 140.6	2 TPI	300	
	11 1/2	<300 to 800	< 21 to 56	2 TPI	500	
	11 5/8	<300 to 2000	< 21 to 140.6	2 TPI	500	
12	13 1/4	<300 to 1500	< 21 to 105	2 TPI	500	
14	15	<300 to 1000	< 21 to 70	2 TPI	500	
16	17 1/2	<300 to 1000	< 21 to 70	2 TPI	1200	

For other sizes or static pressure range, please contact Reinforced Plastic S.A. technical department.

REPSA - High Pressure Threaded Fittings

REDUCERS (TABLE 1 OF 2)						
NOMINAL DIAMETER	STATIC PRESSURE RANGE		THREAD TYPE	L	C1	C2
	inch	psi	Kg _f /cm ²	TPI	mm	mm
2 x 3	< 300	< 21	8 x 8	270	86.0	100.0
	300 to 800	21 to 56	8 x 8	270	86.0	100.0
	1000 to 1500	70 to 105	8 x 8	270	86.0	100.0
	1750 to 2500	122.5 to 175	8 x 8	270	86.0	100.0
	2750 to 3500	192.5 to 245	8 x 8	270	86.0	100.0
2 x 4	< 300	< 21	8 x 8	290	86.0	107.0
	300 to 800	21 to 56	8 x 8	290	86.0	107.0
	1000 to 1500	70 to 105	8 x 8	290	86.0	107.0
	1750 to 2500	122.5 to 175	8 x 8	290	86.0	107.0
	2750 to 3500	192.5 to 245	8 x 8	290	86.0	107.0
3 x 4	< 300	< 21	8 x 8	310	100.0	107.0
	300 to 800	21 to 56	8 x 8	310	100.0	107.0
	1000 to 1500	70 to 105	8 x 8	310	100.0	107.0
	1750 to 2500	122.5 to 175	8 x 8	310	100.0	107.0
	2750 to 3500	192.5 to 245	8 x 8	310	100.0	107.0
3 x 6	< 300	< 21	8 x (8 or 2)	330	100.0	132.0
	300 to 800	21 to 56	8 x (8 or 2)	330	100.0	132.0
4 x 6	< 300	< 21	8 x (8 or 2)	340	107.0	132.0
	300 to 800	21 to 56	8 x (8 or 2)	340	107.0	132.0
4 x 8	< 300	< 21	8 x (8 or 2)	390	107.0	154.0
	300 to 800	21 to 56	8 x (8 or 2)	390	107.0	154.0
6 x 8	< 300	< 21	(8 or 2) x (8 or 2)	415	132.0	154.0
	300 to 800	21 to 56	(8 or 2) x (8 or 2)	415	132.0	154.0
6 x 10	< 300	< 21	(8 or 2) x 2	415	132.0	159.3
	300 to 800	21 to 56	(8 or 2) x 2	415	132.0	159.3

For other sizes or static pressure range, please contact Reinforced Plastic S.A. technical department.
 Sizes are approximate.

REPSA - High Pressure Threaded Fittings

REDUCERS (TABLE 2 OF 2)						
NOMINAL DIAMETER	STATIC PRESSURE RANGE		THREAD TYPE	L	C ₁	C ₂
	inch	psi				
8 x 10	< 300	< 21	(8 or 2) x 2	440	154.0	159.3
	300 to 800	21 to 56	(8 or 2) x 2	440	154.0	159.3
8 x 12	< 300	< 21	(8 or 2) x 2	500	154.0	213.0
	300 to 800	21 to 56	(8 or 2) x 2	500	154.0	213.0
10 x 12	< 300	< 21	2 x 2	500	159.3	213.0
	300 to 800	21 to 56	2 x 2	500	159.3	213.0
10 x 14	< 300	< 21	2 x 2	515	159.3	228.5
	300 to 800	21 to 56	2 x 2	515	159.3	228.5
12 x 14	< 300	< 21	2 x 2	570	213.0	228.5
	300 to 800	21 to 56	2 x 2	570	213.0	228.5
12 x 16	< 300	< 21	2 x 2	580	213.0	241.3
	300 to 800	21 to 56	2 x 2	580	213.0	241.3
14 x 16	< 300	< 21	2 x 2	600	228.5	241.3
	300 to 800	21 to 56	2 x 2	600	228.5	241.3

For other sizes or static pressure range, please contact Reinforced Plastic S.A. technical department. Sizes are approximate.

COUPLINGS						
NOMINAL DIAMETER	THREAD	STATIC PRESSURE RANGE		THREAD TYPE	L	E
		inch	psi			
2	2 ^{3/8}	Up to 3000	Up to 211	8 TPI	230	86.0
3	3 ^{1/2}	Up to 3000	Up to 211	8 TPI	250	100.0
4	4 ^{1/2}	Up to 2000	Up to 141	8 TPI	310	107.0
6	6 ^{5/8}	Up to 2000	Up to 141	8 TPI	565	132.0
	7	Up to 2500	< 21 to 175	2 TPI	565	133.0
8	9 ^{1/4}	Up to 2500	Up to 176	2 TPI	550	154.0
	10	Up to 2000	Up to 141	2 TPI	520	206.8
10	11 ^{1/2}	Up to 800	Up to 56	2 TPI	430	159.3
	11 ^{5/8}	Up to 2000	Up to 141	2 TPI	600	241.3
12	13 ^{1/4}	Up to 1500	Up to 105	2 TPI	560	213.0
14	15	Up to 1000	Up to 70	2 TPI	590	228.5
16	17 ^{1/2}	Up to 1000	Up to 70	2 TPI	615	241.3

For other sizes or static pressure range, please contact Reinforced Plastic S.A. technical department. Sizes are approximate.